

ADVANCED HIGH CEILING

# Whiz Series - Outdoor/Natatorium Rating



High lumen compact luminaire with lumen output 8316 – 33475lm.

**- Outdoor/Natatorium Rating**

Special coating, sealant, and wiring is applied for long term operation in harsh environments.

Standard version available, please refer to Standard spec sheet for more details.



Quantity	Type
Project	Note

### Electrical System

- 9975lm (90W)
- 14280lm (130W)
- 28737lm (240W)
- 33475lm (300W)
- Power Input: Universal (120-277V); 347-480V
- Operating Temperature: -40°F~112°F
- Surge Protection: 10KV
- Remote Emergency Pack (Bodine BSL20W)
- \*Emergency option is only available with standard 0-10V (STV).**

### LED Technology

- 3000K, 4000K , 5000K
- 75 CRI, 85 CRI, 93 CRI
- Beam Angle: 15°, 30°, 60°, 80° and 100° (with diffuser)
- Rated Life > 100,000 hours (L70)
- Lumen Maintenance > 0.90 at 60,000 hours

### Advanced Dimming

(Proprietary VX Driver is incorporated to all dimming options for video flicker-free lighting)

- **Standard 0-10V:** dims to 10%

### Housing

- Diameter: 15.07" (383mm) x 14.17" (360mm)
- Height: WS-90 / WS-130: 3.54" (90mm)  
WS-240 WS-300: 4.6" (117mm)
- Material: Die-Cast Aluminum, Tempered Glass
- Weight: 15.84lbs (With Power Supply / Standard 0-10V)

### Mounting

- Surface Mount
- Stem 2ft, 4ft
- Adjustable Aircraft Cable 4ft, 8ft, 10ft
- Uplight Stem 2ft or 4ft

### Warranty

- 5 years limited warranty.

### Listing

- UL Wet Location Listed
- DLC Listed
- IP65
- FCC
- CE



Not all Whiz Series are DLC qualified. For all qualified products. Please visit: [www.designlights.org/qpl](http://www.designlights.org/qpl)

# Whiz Series - Outdoor/Natatorium Rating



## How To Specify:

**Ordering Example: WS-240-507-UNV-STV-60-WHT-ST2-WG-OUT**

**4-5 weeks lead time on over 75% of specifications.**

Model	Wattage	CCT / CRI	Voltage	Dimming
<input type="text" value="WS"/>	<input type="text"/>	<input type="text"/>	<input type="text"/>	<input type="text"/>
<b>WS</b> Whiz Series	<b>90</b> 90W <b>130</b> 130W <b>240</b> 240W <b>300</b> 300W	<b>308</b> 3000K / CRI85 <b>408</b> 4000K / CRI85 <b>507</b> 5000K / CRI75 <b>309</b> 3000K / CRI93	<b>UNV</b> 120-277V <b>HVT</b> 347-480V	<b>STV</b> Standard 0-10V dims to 10%

Beam Angle	Finish	Mounting	Accessories	Rating
<input type="text"/>	<input type="text"/>	<input type="text"/>	<input type="text"/>	<input type="text"/>
<b>15</b> 15° <b>30</b> 30° <b>60</b> 60° <b>80</b> 80° <b>WD*</b> 100° (with diffuser)	<b>BLK</b> Black <b>WHT</b> White	<b>SUM</b> Surface Mount <b>ST2</b> Stem 2ft <b>ST4</b> Stem 4ft <b>AD4</b> Adjustable Cable 4ft <b>AD8</b> Adjustable Cable 8ft <b>AD10</b> Adjustable Cable 10ft <b>UP2*</b> Uplight Stem 2ft <b>UP4*</b> Uplight Stem 4ft	<b>WG<sup>1</sup></b> Wire Guard <b>DF<sup>2</sup></b> Diffuser	<b>OUT<sup>1</sup></b> Outdoor Rating <b>NAT<sup>2</sup></b> Natatorium Rating
<small>*Please factor in change in lumen output with diffuser (-20% with 100°).</small>		<small>*Option is not compatible with <b>DMX and OCC</b>. Stem length is required when placing order.</small>	<small><sup>1</sup>Please factor in change in lumen output of -14%. <sup>2</sup>Please factor in change in lumen output with diffuser (-20% with DF).</small>	<small><sup>1</sup> Outdoor rating: Coating and wiring will be changed to high UV resistant and corrosion resistant materials for long term operation in outdoor environments. <sup>2</sup> Natatorium rating: Coating and sealant will be changed to high corrosion resistant materials to prevent damage from long term exposure to chlorine vapors.</small>

### DesignLights Consortium™ Qualified Luminaires:

DLC QPL Model Number : WS-130-57K, WS-240-50K, WS-300-50K  
 Not all product variations listed on this page are DLC qualified.  
 To ensure that a specific model is qualified, visit [www.designlights.org/search](http://www.designlights.org/search).

# Whiz Series - Outdoor/Natatorium Rating



## Delivered Lumens\*

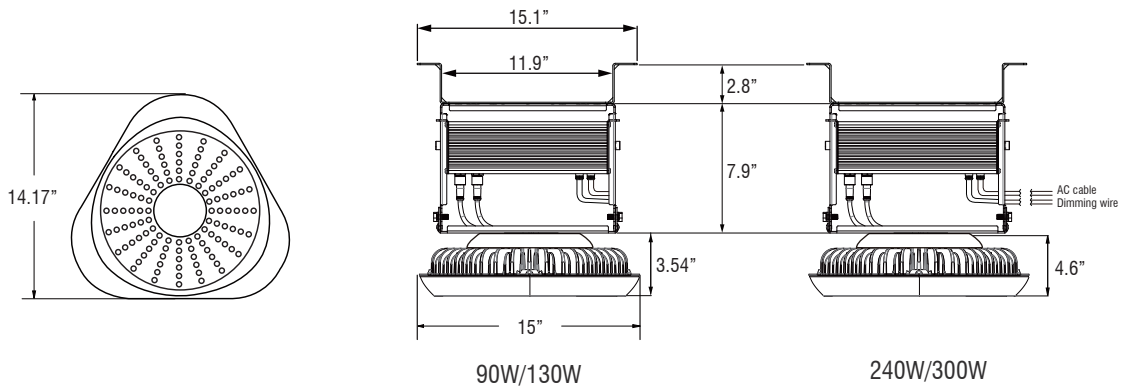
\*Tolerance ±8%

Wattage	90W	130W	240W	300W
Beam Angle: 15°				
CCT				
5000K	9975 lm	14280 lm	28737 lm	33475 lm
4000K	8393 lm	12204 lm	24075 lm	28034 lm
3000K	8316 lm	12091 lm	22680 lm	26215 lm

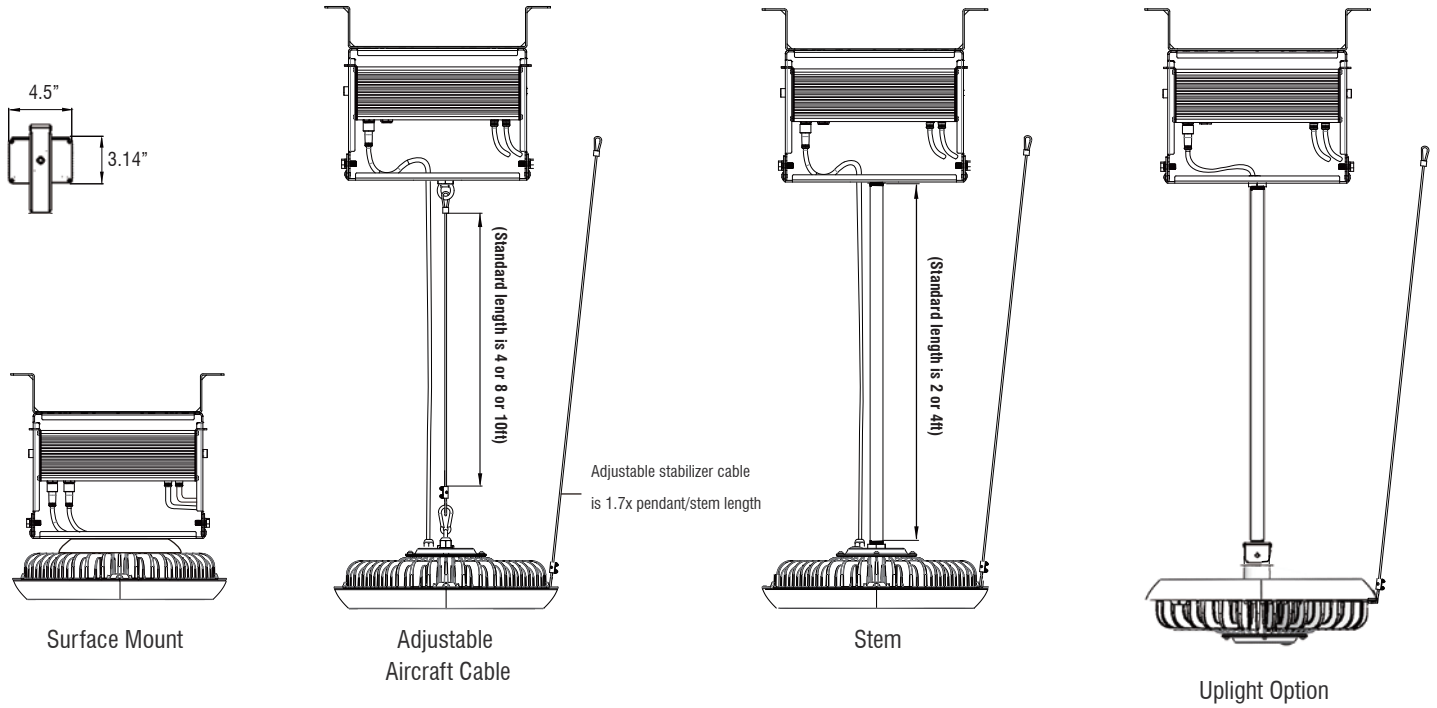
## Current Consumption

Wattage	120V	277V
90W	0.83A	0.36A
130W	1.19A	0.52A
240W	2.20A	0.95A
300W	2.75A	1.19A

## Dimensions



## Mounting Options - STV with 1 power box



## Wire Guard

